



*"Knowledge & Experience Working for You"*

# **PLACARDS, DECALS & MERCHANDISE**

**Catalog and Order Form**

---

*Let PPMCSA Supply Your Needs*

This replaces all previous decal order forms.

All prices subject to change without notice.

---

Eastwood Office Center • Suite 22 • 810 S. Eisenhower Boulevard • Middletown, PA 17057

[www.ppmcsa.org](http://www.ppmcsa.org)

## PLACARDS

DOT regulations require tank wagons and transports to post designated placards on all four sides.

**1 - 39 \$3.50 each**  
**40 - 79 \$3.25 each**  
**80 - up \$3.00 each**  
 For items D-1 to D-4

D-1

10<sup>3</sup>/<sub>4</sub>" x 10<sup>3</sup>/<sub>4</sub>"



Gasoline  
 (Intrastate - Interstate)

D-2

10<sup>3</sup>/<sub>4</sub>" x 10<sup>3</sup>/<sub>4</sub>"



Fuel Oil  
 (Intrastate Use)

D-3

10<sup>3</sup>/<sub>4</sub>" x 10<sup>3</sup>/<sub>4</sub>"



Fuel Oil/Diesel  
 (Intrastate - Interstate Use)

D-4

10<sup>3</sup>/<sub>4</sub>" x 10<sup>3</sup>/<sub>4</sub>"



Kerosene  
 (Intrastate - Interstate Use)

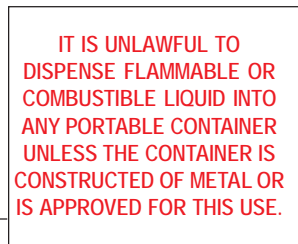
D-5



6" x 12"

**\$.95 each**

D-6



10" x 12"

Required on every pump island.

**\$2.25 each**

D-7



4" x 13<sup>1</sup>/<sub>2</sub>"

**\$1.95 each**

D-8



4" x 13<sup>1</sup>/<sub>2</sub>"

**\$1.95 each**

Item Number

D-9

**SUPER UNLEADED**

**\$1.95 each**

4" x 13<sup>1</sup>/<sub>2</sub>"

D-10

**TURN OFF MOTOR**

**\$1.95 each**

3" x 6"

D-11

**NO SMOKING**

**\$1.95 each**

2" x 9"

D-12

**THIS VEHICLE STOPS AT RAILROAD CROSSINGS**

**\$5.95 each**

3" x 38"

**UNDYED  
 UNTAXED  
 KEROSENE  
 NONTAX-  
 ABLE  
 USE ONLY**

**D-13**

**DYED  
 KEROSENE  
 NONTAX-  
 ABLE  
 USE ONLY  
 PENALTY  
 FOR  
 TAXABLE  
 USE**

**D-14**

**\$.80 each**

3" x 5"  
 (These decals are mandatory on your kerosene dispensers.)

## SKID TANKS

Regulations require all skid tanks (farm, commercial, mining or transit operations) to be conspicuously marked in letters not less than 3" high with the name of the product they contain and the wording, "Inflammable - Keep 40 ft. From Buildings."

D-15

**KEROSENE**

**\$1.95 each**

3<sup>1</sup>/<sub>2</sub>" x 15"

D-16

**GASOLINE**

**\$1.95 each**

3<sup>1</sup>/<sub>2</sub>" x 15"

D-17

**DIESEL**

**\$1.95 each**

3<sup>1</sup>/<sub>2</sub>" x 15"

D-18

**INFLAMMABLE  
 KEEP 40 FT.  
 FROM BUILDINGS**

**\$2.95 each**

8" x 15"

Item Number

### DYED DIESEL TANK DECAL

The tank decal complies with the legal standards for sales of high-sulfur diesel fuel. The IRS also recommends that all customer tanks be labeled.

D-19

5 1/2" x 9 1/2"

\$1.75 each



Item Number

### WINDOW/TRUCK DECAL

D-22



\$1.00 each

4" Diameter (Outside Application)

### DYED DIESEL PUMP DECAL

The pump decal complies with IRS regulations to label dyed fuel destined for nontaxable use and with EPA regulations to differentiate fuel that is legal or not legal for highway use. This decal is required by the IRS to be on all pumps of dyed, high-sulfur diesel fuel.

D-20

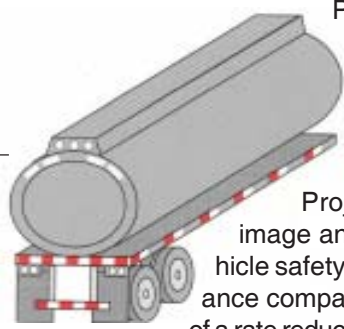
5 1/2" x 9 1/2"

\$1.75 each



### CONSPICUITY STRIPING

D-23



Prismatic reflective Scotchlite with 900 candlepower in red/white patterns. Supplied in 2" x 150' rolls.

Project a better company image and maximize overall vehicle safety. Check with your insurance company about the possibility of a rate reduction for using conspicuity striping on your vehicles.

\$124.00 per roll

### DRIVE OFF DECALS

D-21



Drive Off Decals for your motor fuels dispensers and storefront doors or glass. These decals are specific to Pennsylvania. They are full color and made of high quality materials, including an ultra-violet protection laminate. The decals are 4" x 6" in size.

\$1.00 each

### DRIVE OFF PUMP TOPPERS

D-24



Drive Off Pump Toppers, specific to Pennsylvania, are full color, printed on both sides, and made of high quality materials, including an ultra-violet protection laminate. The toppers are 14" x 28" in size and can be trimmed to 12" x 20".

\$5.00 each

Item  
Number

## F.T.C. CERTIFICATION AND MINIMUM OCTANE RATING LABELS

**\$ .50 each**

D-25	- 87
D-26	- 89
D-27	- 92
D-28	- 93
D-29	- 94



3" x 2 1/2"

Yellow vinyl, screen-  
printed black and laminated

Item  
Number

## FLAMMABLE AND COMBUSTIBLE LIQUIDS REGULATIONS

DEPARTMENT OF  
LABOR AND  
INDUSTRY  
COMMONWEALTH OF  
PENNSYLVANIA

**B-30**

**N/C**



## PETROLEUM MARKETING EMPLOYEE "RIGHT TO KNOW" INFORMATIONAL BROCHURE

**\$ .50 each**

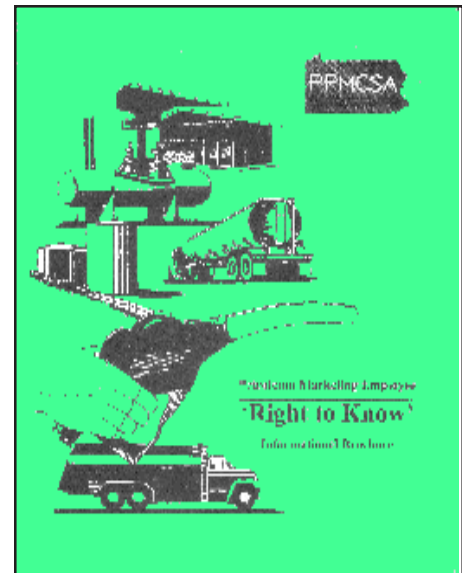
**B-31**

Under the SARA Title III program of federal and state "Right to Know" regulations, each company is required to train and provide information on OSHA health standards to employees.

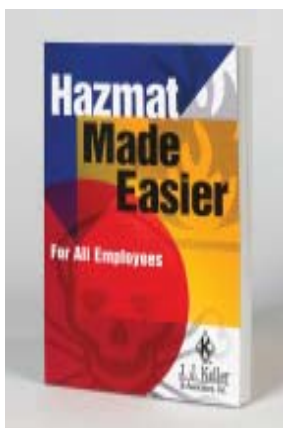
As part of the required training sessions, PPMCSA has developed the Petroleum Marketing Employee "Right to Know" Informational Brochure, which covers the "Basic Guidelines to Potentially Hazardous Materials," for distribution to each of your employees. Training can be conducted at meetings discussing the hazards of the products you handle and the methods of personal safety.

This brochure is a starting point in your training program. After each employee reads it thoroughly, have them sign and date the coupon, and file it in your "Right to Know" training file. Please note: All new employees must be provided with this type of brochure, so order extra copies.

**Remember**, "Right to Know" training is required by law, so keep company records of all training meetings.



**B-32**



## HAZMAT MADE EASIER HANDBOOK

**\$2.95 each**

This all-new handbook gives your employees a basic overview of key hazmat requirements without overloading them with details and hard-to-understand terminology. It takes a very simple approach, using large type, plain English and lots of full-color illustrations.

Use it to help your employees more easily understand their responsibilities when handling, shipping, and transporting hazardous materials.

There is even a section on hazmat security which includes recommended practices.

Item Number

# PA MOTOR CARRIER SAFETY DIVISION REGULATIONS FORMS

- B-33** Driver's Medical Qualification Form with Cards **N/C**
- B-34** Driver's Qualification Form for Employment **N/C**

## BOOKS/MANUALS/BROCHURES

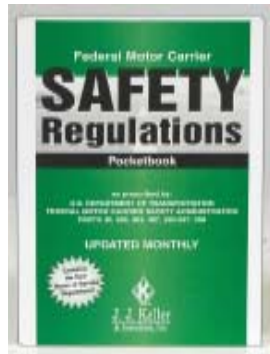
- B-35** PMPA (Petroleum Marketing Practices Act) **N/C**
- B-36** NFPA 31 Standard for the Installation of Oil-Burning Equipment **Call Office for Price**
- B-37** Efficient Oilheat, An Energy Conservation Guide Gold Technician Manual **Call Office for Price**
- B-38** Oil Heat Technician's Manual **Call Office for Price**



## FEDERAL MOTOR CARRIER SAFETY REGULATIONS POCKETBOOK

Federal regulations require that every distributor have a copy in their office.

- B-39** **\$2.95 each**

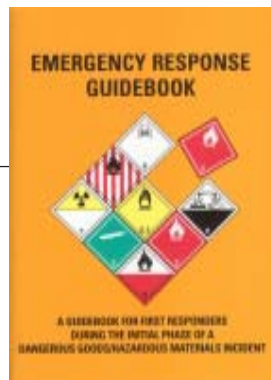


You'll find this pocket-book convenient and helpful in meeting DOT safety compliance requirements. Its sections and sub-sections are highlighted in bold type in a format that makes information quick and easy to find. It covers many vital areas and contains the Federal Motor Carrier Safety Regulations of the DOT, including Part 399-Employee Safety and Health Standards and a 7-page list of Schedule I drugs and other substances.

## EMERGENCY RESPONSE GUIDEBOOK

**\$2.95 each**

- B-40**



Regulations adopted by the Department of Transportation require an Emergency Response notification and telephone number as listed in 49 CFR, Part 172, effective **December 31, 1990**. This ruling applies to vehicles transporting gasoline, fuel oil and any hazardous materials in interstate or intrastate commerce.

One of the requirements that must be met is that every **bulk plant or terminal** be equipped with the Emergency Response Guidebook **OR** information from it applying to the products handled. Also, some major oil company terminals are requiring the guidebook in vehicles to be loaded.

Item Number

# MCS D DRIVER VEHICLE CONDITION REPORT

B-41

CARRIER \_\_\_\_\_  
ADDRESS \_\_\_\_\_  
DRIVER'S VEHICLE CONDITION REPORT  
DATE \_\_\_\_\_ EQUIP. NO. \_\_\_\_\_

AFTER TRIP	ITEM	REPAIRS OR ADJUSTMENTS NEEDED AT END OF TRIP
	Brakes - Service	
	Brakes - Hand	
	Steering	
	Windshield Wipers	
	Defroster	
	Horn	
	R.V. Mirrors	
	Engine	
	Clutch	
	Drive Line	
	Transmission	
	Exhaust	
	Speedometer	
	Tires & Wheels	
	Lights	
	Reflectors	
	Trailer Connections	
	Cooling System	
	Fuel System	
	Battery	
	Emergency Equipment	
	Fire Extinguisher	
	Placards	

Check each item  OK  NOK  FACTORY

Driver's Signature After Trip \_\_\_\_\_  
Date Repairs Completed \_\_\_\_\_

BY \_\_\_\_\_  
Signature of Shop Foreman or Mechanic

Driver's Signature After Repairs \_\_\_\_\_

Must be submitted at the completion of day or tour of duty by the driver of the vehicle. The driver must list any deficiencies or defects discovered by him which would be likely to affect the safety of the vehicle's operation or cause a breakdown. If none - so state. Reports shall be maintained by the motor carrier for a least 3 months.

5 - 25 pads \$1.50 each  
26 - 50 pads \$1.40 each  
51 - up pads \$1.30 each

4" x 9"  
Minimum order - 5 pads  
Pads of 100 each

## VINYL PVC GLOVES

**G-43A** 12" Slip-on gloves are jersey-lined black with grip-coating. Ideal for gasoline drivers. **\$29.95 per dozen**

**G-43B** 14" same as above. **\$30.95 per dozen**

\*\* (No PA Sales Tax)

## ACCIDENT REPORT KIT

K-44

\$1.85 each

For interstate and intrastate drivers ... step-by-step procedures and instructions for drivers to get the right information, talk only to the right people and protect themselves and the company from civil and criminal liability. Practical and convenient - printed on heavy stock for ease of recording.



Item Number

# MCS D MAINTENANCE RECORDING & FILING FORM

Inside Portion of 119-F File Folder

B-42

WORK CENTER \_\_\_\_\_

MONTH	JAN	FEB	MAR	APR	MAY	JUN	JULY	AUG	SEPT	OCT	NOV	DEC
MAKE												
YEAR												
MODEL												
ENGINE SERIAL NO.												
TRAILER												

WORK CODES: W - PMA (1000 MILES), X - PMA (1000 MILES), Y - PMA (1000 MILES), Z - PMA (1000 MILES)

EXPLAIN BELOW AS COMPLETELY AS POSSIBLE THE WORK (CORRECTIONS) ON ALL COMPONENTS OF PARTS REPAIRS OR REPAIRS. USE MORE THAN ONE LINE IF NECESSARY.

PARTS LABOR TOTAL COST COST

Manila file folder for permanent recording of all preventive maintenance services, repairs, modifications, mileage and costs. These folders are ideal for holding all receipts, repair orders, invoices, etc. Easy-to-use format means these folders can be used in most existing systems without changing procedures. Features "Exclusive Automatic Maintenance Scheduling System."

1 - 25 folders \$1.45 each  
26 - 50 folders \$1.35 each  
51 - up folders \$1.20 each

## EMERGENCY SPILL RESPONSE KIT

*When those spills occur, you'll be ready with an Emergency Spill Response Kit.*

K-45



This lightweight, easy to transport kit is packed in a 24" x 24" resealable poly bag.

- Kit Includes:**
- 3 - Universal Absorbent Socks (3"x48")
  - 20 - Oil Absorbent Pads (17"x19")
  - 1 tube - Drum Repair Epoxy Putty
  - 1 pair - Nitrile, Chemical-Resistant Gloves
  - 1 pair - Vinyl Gloves
  - 1 pair - Goggles
  - 1 - Extra Heavy Duty Disposal Bag

In compliance with the federal EPA regulations, which state that each truck which displays a hazardous placard  $\diamond$  - MUST have an emergency spill prevention containment cleanup kit aboard, through your association, we have arranged to secure a plastic, zippered kit. This kit can be placed behind the driver or passenger seat for easy storage. Shown above is the kit and the items it contains.

\$32.95 each

