

PENNSYLVANIA PETROLEUM MARKETERS & CONVENIENCE STORE ASSOCIATION

P.O. Box 68
Highspire, PA 17034-0068

Please enroll the following in your **WIRING DIAGRAM SEMINAR:**

NAME (Please PRINT Clearly or TYPE in FULL)

APRIL 1

OCTOBER 5

COMPANY

If subsidiary or branch of member, print parent company below:

**NO REGISTRATION WILL BE ACCEPTED
UNLESS ACCOMPANIED BY PAYMENT IN FULL**

MAILING ADDRESS

CITY _____ **STATE** _____ **ZIP** _____

PHONE (____) _____ **FAX** (____) _____

AUTHORIZED BY _____

TITLE _____

**REGISTRATION FEE
\$140.00 Per Person**
**CONFIRMATION WILL BE SENT THREE
WEEKS PRIOR TO THE PROGRAM.**
Seminar will start promptly on time.
**Please allow ample time for road
conditions.**

Authorized E-Mail _____ Check Enclosed for \$ _____

Charge my: MasterCard Visa Discover Account Number _____ Expiration Date _____

Cardholder's Name (Please Print) _____ Signature _____

Detach here and mail today!

OUR INSTRUCTOR: Steve Mohr began his HVAC career in 1978 and became a trainer in 1992. The students' participation and response to his training programs has been fantastic and adds to Steve's excitement as he pushes forward to offer training second to none.

THE WIRING DIAGRAM SEMINAR WILL COVER:

- * Residential and Light Commercial Schematics including: Furnaces, Heat Pumps and A/C Systems
- * How the Wiring Diagram is Your "Best Tool" to Successful Troubleshooting
- * Electrical Problems Using the Diagram
- * Fear of Electrical Troubleshooting

PAYMENT POLICY: Payment can be made by check or credit card. Visa, MasterCard or Discover information may be faxed to PPMCSA at (717) 902-0290.

CANCELLATION POLICY: Cancellations will be accepted up to 3 days prior to the program date. No refund will be made unless the cancellation is **received more than 3 days prior to the scheduled program.**

CERTIFICATE OF TRAINING: Will be awarded to each student who completes the course and passes the examination. A passing grade is also worth **8** CEUs towards NORA re-certification.

OVERNIGHT ACCOMMODATIONS: Lodging, transportation and meals (other than lunch) are the responsibility of the student.



Education Program

2010 COURSE DATES

APRIL 1

**RODEWAY INN &
CONFERENCE
CENTER**
(Formerly Days Inn)
Routes 22 & 309
1151 Bulldog Drive
Allentown, PA
(610) 395-3731



OCTOBER 5

**THE INN at
CHESTER SPRINGS**
PA Turnpike, Exit 312
815 N. Pottstown Pike
Exton, PA
(610) 363-1100

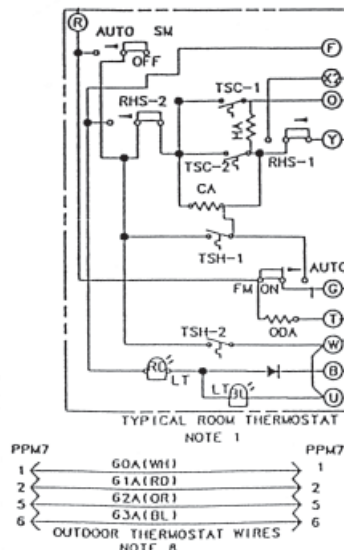
9:00 a.m. - 4:00 p.m.



USED IN CONJUNCTION WITH
OIL-FIRED HEATING UNIT

WIRING DIAGRAM SEMINAR

What is one of the most important tools you have? It's a wiring diagram. It's tough to know how to diagnose something if you first do not know how it is supposed to work normally. Times are changing and so is equipment..it's a necessity that modern day technicians know how to read electrical schematics. PPMCSA and Steve Mohr will present this 1-day Wiring Seminar which is an in-depth look at electrical diagrams and schematics and will include how the machine is supposed to work electrically, troubleshooting from the schematics, specifics about the solid-state devices and where to find the information. Schematics studied will be residential and commercial heat pumps, air conditioning units and gas furnaces.



**LIMITED TO
25 REGISTRANTS**

**SIGN UP
NOW!!!**

WIRING DIAGRAM SEMINAR